



# THE GUND COMPANY

MANUFACTURERS & FABRICATORS OF ENGINEERED MATERIAL SOLUTIONS

## Resistance Temperature Detectors (RTDs) Quote Form

Customer: \_\_\_\_\_ PO Number: \_\_\_\_\_

Ship To Address: \_\_\_\_\_ Date Ordered: \_\_\_\_\_

City: \_\_\_\_\_ State: \_\_\_\_\_ Postal Code: \_\_\_\_\_ Date Required: \_\_\_\_\_

Contact: \_\_\_\_\_ Email Address: \_\_\_\_\_ Phone #: \_\_\_\_\_

### Standard Stock RTDs

- 10" Single Element - (See Specifications Below)  Quantity: \_\_\_\_\_ Platinum  Nickel  Copper
- 12" Dual Element - (See Specifications Below)  Quantity: \_\_\_\_\_
- 18" Dual Element - (See Specifications Below)  Quantity: \_\_\_\_\_

| Part ID                      | Dimensions               | Rating  | Element  | Resistance         | Number of Elements | Lead Wire Length | Number of Wires | Lead Wire Gauge | Lead Wire Coating |
|------------------------------|--------------------------|---------|----------|--------------------|--------------------|------------------|-----------------|-----------------|-------------------|
| RTD1A2540.7626.6P3457226PTS  | 10"L x 0.260"W x 0.030"T | Class H | Platinum | 100 Ωm ± 0.5% @ 0C | 1                  | 15 ft            | 3               | 26 AWG          | PTFE              |
| RTD1A2540.7626.6C3457226PTS  | 10"L x 0.260"W x 0.030"T | Class H | Copper   | 10 Ωm ± 0.5% @ 0C  | 1                  | 15 ft            | 3               | 26 AWG          | PTFE              |
| RTD1A2540.7626.6N3457226PTS  | 10"L x 0.260"W x 0.030"T | Class H | Nickel   | 120 Ωm ± 0.5% @ 0C | 1                  | 15 ft            | 3               | 26 AWG          | PTFE              |
| RTD2A3050.76213.5P3457226PTV | 12"L x 0.520"W x 0.030"T | Class H | Platinum | 100 Ωm ± 0.5% @ 0C | 2                  | 15 ft            | 6               | 26 AWG          | PTFE              |
| RTD2A4570.76213.5P3457226PTV | 18"L x 0.520"W x 0.030"T | Class H | Platinum | 100 Ωm ± 0.5% @ 0C | 2                  | 15 ft            | 6               | 26 AWG          | PTFE              |

Note: Standard Stock RTDs are insulation tested at 1kV, resistance tested and hi-pot test to 1.5kV. Additional testing is custom.

### Custom RTD Characteristics

Quantity: \_\_\_\_\_ Number of Elements: Single  Dual

Element Type: Platinum  Nickel  Copper

Resistance Class: A  B  C  Length of Element (mm): \_\_\_\_\_

Thickness of the Element (mm): \_\_\_\_\_ Width of the Element (mm): \_\_\_\_\_

Number of Wires per Element: 2  3  4  Lead Length of Wire (mm): \_\_\_\_\_

Wire Gauge (22 to 28AWG): 22  24  26  28

Lead Wire Insulation: PTFE  Other

Lead Wire Construction: Twisted  Flat  Twisted w/Sheath  Flat w/Sheath  Shield w/Sheath

Testing Required: No  Yes  Yes requires test requirements in detail.

Hi-Pot  Resistance at Multiple Temperatures



# THE GUND COMPANY

MANUFACTURERS & FABRICATORS OF ENGINEERED MATERIAL SOLUTIONS

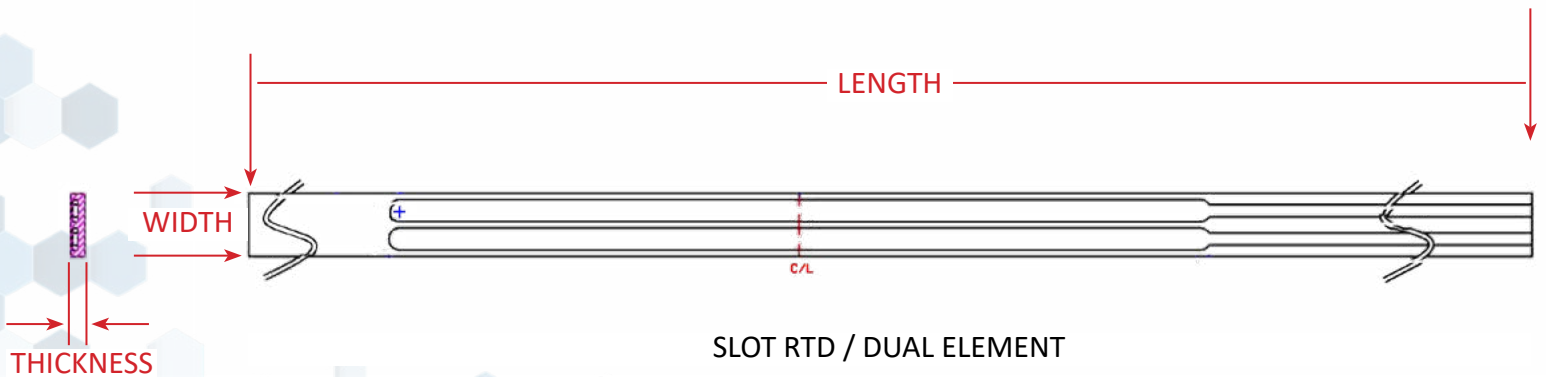
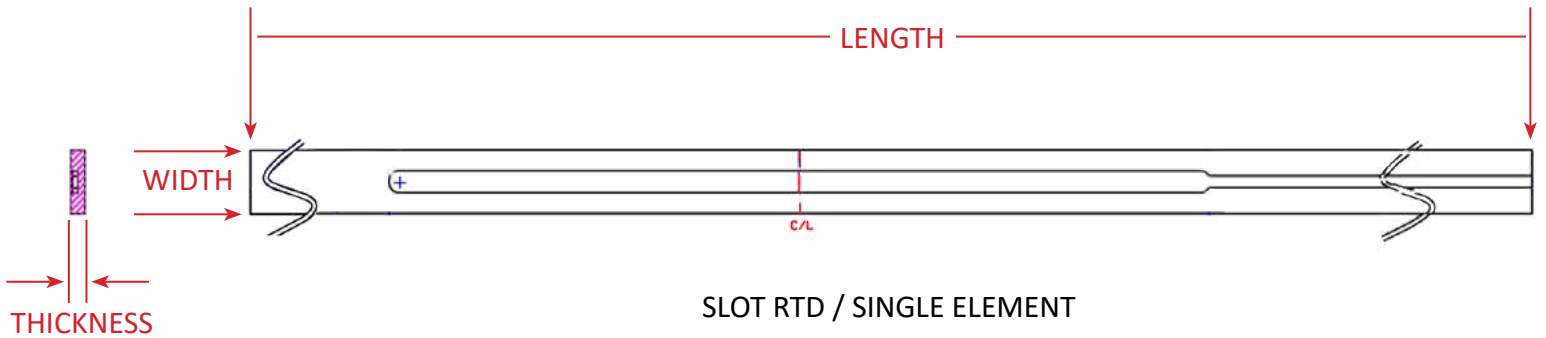
Drawing REQUESTED (SEND DRAWINGS ALONG WITH REQUEST FORM)

Embedding Material:    Semi-Conductive     Non-Conductive G-11

Wire Exit from embedding:    End Exit     Side Exit (Drawing will be required)

Length of Center Filler: \_\_\_\_\_ Width of Center Filler: \_\_\_\_\_

Thickness of Center Filler: \_\_\_\_\_



\* Dimensional tolerances will be NEMA Standard unless customer requests otherwise