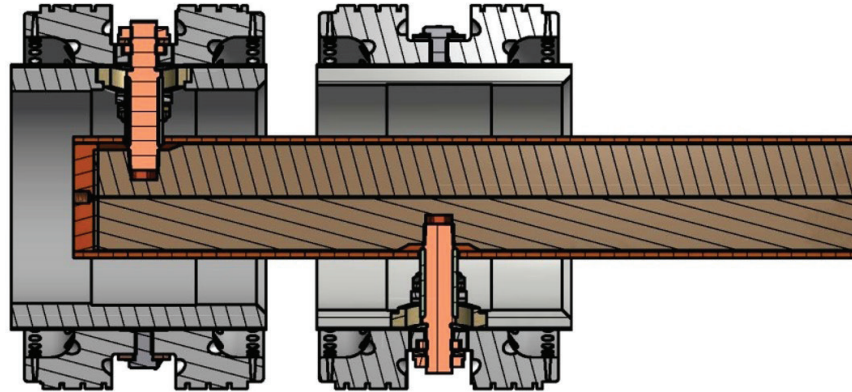




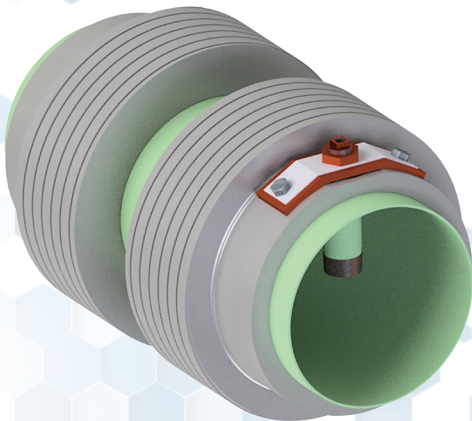
THE GUND COMPANY

MANUFACTURERS & FABRICATORS OF ENGINEERED MATERIAL SOLUTIONS

Collector and Brush Rigging Products



The collector and brush rigging assemblies deliver the field-creating current to the generator rotor. This system will likely have the highest amount of wear and tear out of all generator components. These components could be passing DC current in excess of 5000 Amps while spinning at a high rate of speed, making reliability of the utmost importance. The Gund Company (TGC) has years of experience working with every aspect of generator collector assemblies. TGC can fabricate collector components, source new components, reinsulate components, and assemble systems in-house for easy installation on-site. From reinsulating & shrink-fitting collector rings to fabricating brush holder assembly plates, TGC can assist you with your collector refurbishment or replacement needs.



Item:	Collector Assemblies & Refurbishment		
Description:	TGC can provide the entire collector assembly (rings, terminals, sleeving, shells, & tubes) with certain components assembled before shipping. Alternatively, TGC can receive and disassemble your collector set for refurbishment and reinsulating of individual components. TGC also stocks multiple sizes of steel forgings and can manufacture collector rings with either spiral or straight grooves.		
Typical Ring Materials:	Carbon Steel Forging, Epoxy Fiberglass Insulation, Flexible C114 Copper Leads		
Typical Ring ID:	7"-10"	Typical Ring OD:	9"-12"
Typical Shell OD:	4.5"-8.5"		

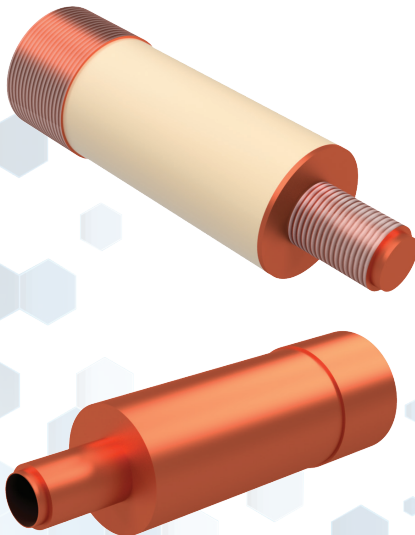


THE GUND COMPANY

MANUFACTURERS & FABRICATORS OF ENGINEERED MATERIAL SOLUTIONS



Item:	Bore Copper Refurbishment & Reinsulating		
Description:	TGC can fabricate and insulate bore copper. For bore copper with wrapped-style insulation, we can strip and re-wrap insulation on the bore conductors and machine them to final dimensions. TGC manufactures filament wound bore tubes for bore copper that is installed into a tube insulator. Depending on the generator bore, these tubes can be machined to final dimensions or left with an oversized OD to allow a custom fit. TGC also provides the inner separation insulation for tube-style bore conductors.		
Typical Materials:	Wrapped Insulation: CrossPly Glass Epoxy Bore Tubes: Filament Wound Glass Epoxy Bore Copper (Axial Leads): C110 Profiled Copper Extrusions		
Typical Bore Copper Length:	45"-84"	Typical Bore Copper Radius:	0.540"-2.50"
Typical Insulation Inner Diameter:	1.00"-5.00"	Typical Insulation Thickness:	0.125"-0.350"

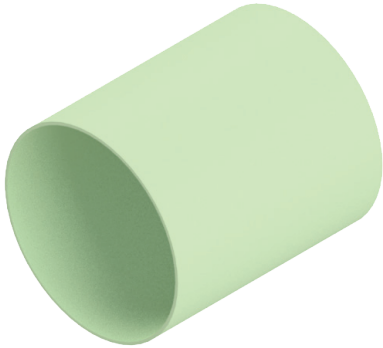


Item:	Collector Terminals		
Description:	TGC fabricates and insulates all variations of collector terminals & studs. Whether the terminal is threaded into the bore or uses a contact strip. TGC has experience machining, insulating, and assembling collector terminals. TGC can also provide silver plating services for leads, terminals, and distribution straps.		
Typical Materials:	Copper (C110, C116, C18150, & other alloys), CrossPly Glass Epoxy		
Typical Length:	6"-10"	Typical Outer Diameter:	1.5"-2.5"



THE GUND COMPANY

MANUFACTURERS & FABRICATORS OF ENGINEERED MATERIAL SOLUTIONS



Item:	Collector Sleeving		
Description:	TGC manufactures 2 styles of collector insulation. We can wind convolute wrapped collector sleeving and supply it as a standalone part or as part of an assembly. We also have an industry-leading process for heat-wrapping the inner shell of the collector sleeve. The outer surface of the insulation is then precision machined allowing for the correct amount of shrink between the collector ring		
Typical Materials:	Proprietary High-Dielectric Glass Epoxy		
Typical Thickness:	0.060"-0.125"	Typical Inner Diameter:	7"-9"



Item:	Brush Rigging Assemblies		
Description:	TGC fabricates the mounting insulating barrier for brush rigging assemblies in-house and can provide complete brush assemblies ready for installation.		
Typical Materials:	Post-Baked Black Canvas, Low Shrink Black Canvas, NEMA G11		
Typical Thickness:	.125"-.250"	Typical Inner Diameter:	10"-20"

Data supplied above are typical values and are not to be considered specification values. All of the information, suggestions and recommendations pertaining to the properties and uses of the products herein are based upon tests and data believed to be accurate; however, the final determination regarding suitability of any material described herein for the contemplated application, the manner of such use, and whether the use infringes any patents is the sole responsibility of the user. There is no warranty, expressed or implied, including, without limitation warranty of merchantability or fitness for a particular purpose. Under no circumstances shall we be liable for incidental or consequential loss or damage.